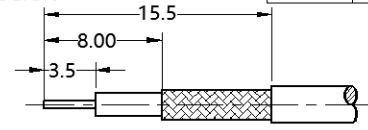


1	2	3	4	5	6
REV.	DESCRIPTION	ECN NO.	NAME	DATE	CODDATE
0	FIRST EDITION	N/A	CG	2024/6/3	CODSIGN

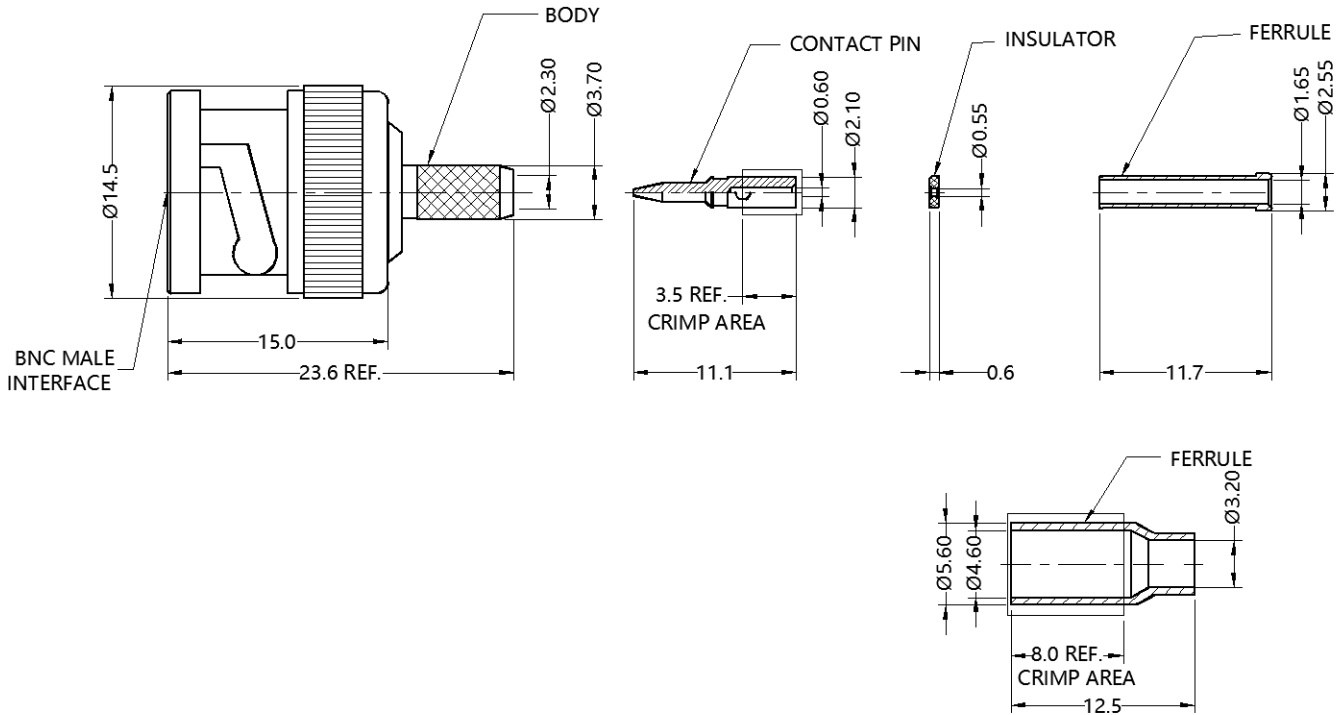


ALL PARTS MUST MEET TO RoHS REQUIREMENTS

- REMARKS:
 1. CONTACT PIN TO SOLDER OR CRIMP (CRIMPER CONTACT PIN HEX. CRIMP SIZE 0.071")
 2. CRIMPED FERRULE HEX. CRIMP SIZE .190"



RECOMMENDED CABLE STRIPPING DIM'S



MATERIALS AND PLATING		UNIT: MICRO-INCHES
PART NAME	MATERIALS	PLATING
BODY/SHELL	BRASS C3604/BRASS C3602	NICKEL/COPPER
INSULATOR	PTFE ASTM-D-1710	N/A
GASKET	SILICONE	N/A
FERRULE	BRASS	NICKEL/COPPER
CONTACT PIN	BRASS C3602	GOLD/NICKEL/COPPER
C RING/RING	SK5	NICKEL/COPPER

ELECTRICAL CHARACTERISTICS	
IMPEDANCE	50 Ω
VOLTAGE RATING	500 V(rms)
FREQUENCY RANGE	DC ~ 4 GHz
DIELECTRIC WITHSTANDING VOLTAGE	> 750 V
CONTACT RESISTANCE	CENTER CONTACT < 1.5 mΩ
	OUTER CONTACT < 0.2 mΩ
INSULATION RESISTANCE	> 5000 MΩ
INSERTION LOSS	< 0.2 dB
RF-LEAKAGE	N/A
VSWR	< 1.30
3RD INTERMODULATION	N/A

MECHANICAL CHARACTERISTICS	
FORCE TO ENGAGE AND DISENGAGE	N/A
CENTER CONTACT RETENTION FORCE	N/A
RECOMMENDED COUPLING TORQUE	N/A
COUPLING NUT RETENTION FORCE	> 100 lbs
DURABILITY	> 500 cycles

ENVIRONMENTAL PARAMETER	
TEMPERATURE RANGE	-45 °C ~ +165 °C
CORROSION	MIL-STD-202G, Method.101, Cond.B
VIBRATION	MIL-STD-202G, Method.204, Cond.B
SHOCK	MIL-STD-202G, Method.213, Cond.G

CUSTOMER OUTLINE DRAWING

UNLESS OTHERWISE SPECIFIED:
 1) EDGES: C0.10 MAX.
 2) REMOVE ALL BURRS;
 3) SURFACE ROUGHNESS: Ra1.6
 4) UNITS: mm
 5) DIMENSIONS TOLERANCES
 DECIMALS: .x±0.2, .xx±0.1, .xxx±0.05
 ANGLES: ±3° AXIALITY: 0.05

THIRD ANGLE PROJECTION	
APPROVE:	APPROVED
STANDARD:	STANDARDS
PROCESS:	PROCESSES
CHECK:	CHECKED
DRAWING:	CG

CUSTOMER P/N:	
PNUM:	
LIFE STAGE:	
SCALE:	2:1
FRAME:	A4
PAGE:	1/1
DATE:	2024/6/3

TITLE:
BNC MALE S/T CRIMP FOR RG-316D CABLE 50Ω
 PRODUCT P/N:
 5BNM11S-A50-101
 WEBSITE : www.slkcorp.com | PLM V2.3