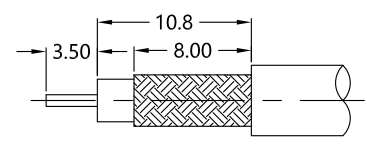


REV.	DESCRIPTION	ECN NO.	NAME	DATE
0	FIRST EDITION	N/A	YWD	2018-06-19
1	UPDATE FRAME	N/A	PY	2020-08-31

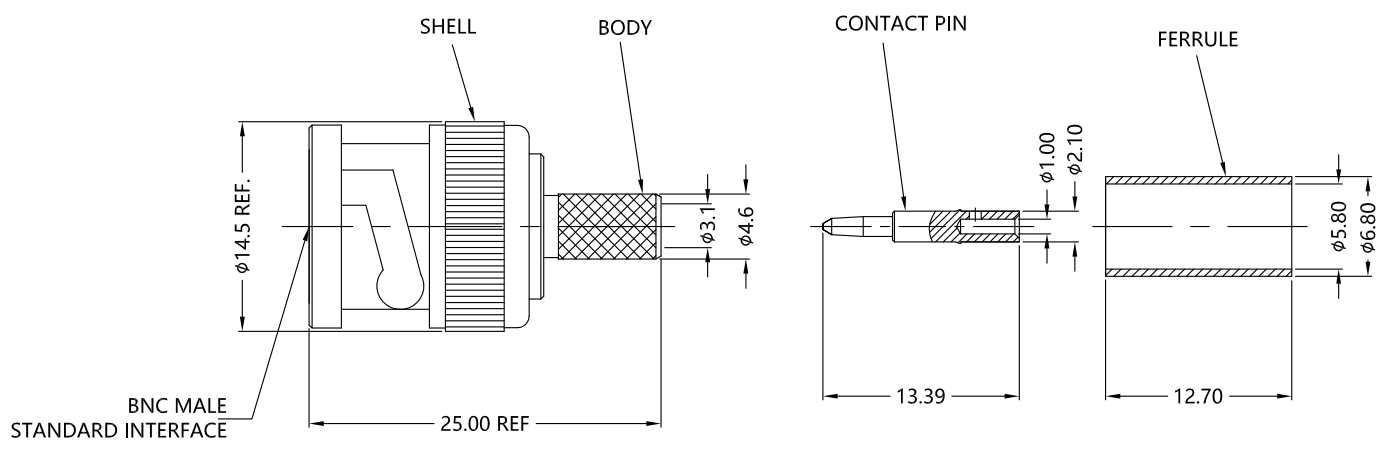


ALL PARTS MUST MEET TO RoHS REQUIREMENTS

REMARKS:
 1. CONTACT PIN TO SOLDER
 2. CRIMPED FERRULE HEX. CRIMP SIZE .231"



RECOMMENDED CABLE STRIPPING DIM'S



MATERIALS AND PLATING		UNIT: MICRO-INCHES
PART NAME	MATERIALS	PLATING
BODY/SHELL	BRASS	NICKEL 100u"/COPPER
INSULATOR	TEFLON MIL-P-19468	N/A
CONTACT PIN	BRASS	GOLD 10u"/NICKEL/COPPER
FERRULE	BRASS	NICKEL 100u"/COPPER

ELECTRICAL CHARACTERISTICS		
IMPEDANCE	50Ω	
VOLTAGE RATING	175 V(rms)	
FREQUENCY RANGE	0 ~ 4 GHz	
DIELECTRIC WITHSTANDING VOLTAGE	>500 V	
CONTACT RESISTANCE	CENTER CONTACT	<3.0 mΩ
	OUTER CONTACT	<2.0 mΩ
INSULATION RESISTANCE	>5000 MΩ	
INSERTION LOSS	N/A	
VSWR	<1.40@DC~3GHZ	
3RD INTERMODULATION	N/A	

MECHANICAL CHARACTERISTICS	
FORCE TO ENGAGE AND DISENGAGE	N/A
CENTER CONTACT RETENTION FORCE	N/A
RECOMMENDED COUPLING TORQUE	N/A
COUPLING NUT RETENTION FORCE	>60 lbs
DURABILITY	>500cycles

ENVIRONMENTAL PARAMETER	
TEMPERATURE RANGE	-55°C~+125 °C
CORROSION	MIL- STD 202, Meth. 101,Cond. B
VIBRATION	MIL- STD 202, Meth. 204,Cond. B
SHOCK	MIL- STD 202, Meth. 213,Cond. G

* CUSTOMER OUTLINE DRAWING

UNLESS OTHERWISE SPECIFIED:
 1) EDGES : C0.15 MAX ;
 2) REMOVE ALL BURRS ;
 3) SURFACE ROUGHNESS : Ra1.6 ;
 4) UNITS : mm ;
 5) DIMENSIONS TOLERANCES
 DECIMALS : .x ±0.3 .xx ±0.2 .xxx±0.1;
 ANGLES : ± 5°.

THIRD ANGLE PROJECTION	
APPROVED :	CUSTOMER P/N :
CHECKED :	SCALE :
DRAWING :	DATE :
PAGE : 1/1	

TITLE : BNC MALE S/T FOR RG223/U CABLE,50Ω
 DRAWING NO. : 5BNM11S-A09-006
 COMPANY WEBSITE : www.slkcorp.com

CUSTOMER OUTLINE DRAWING