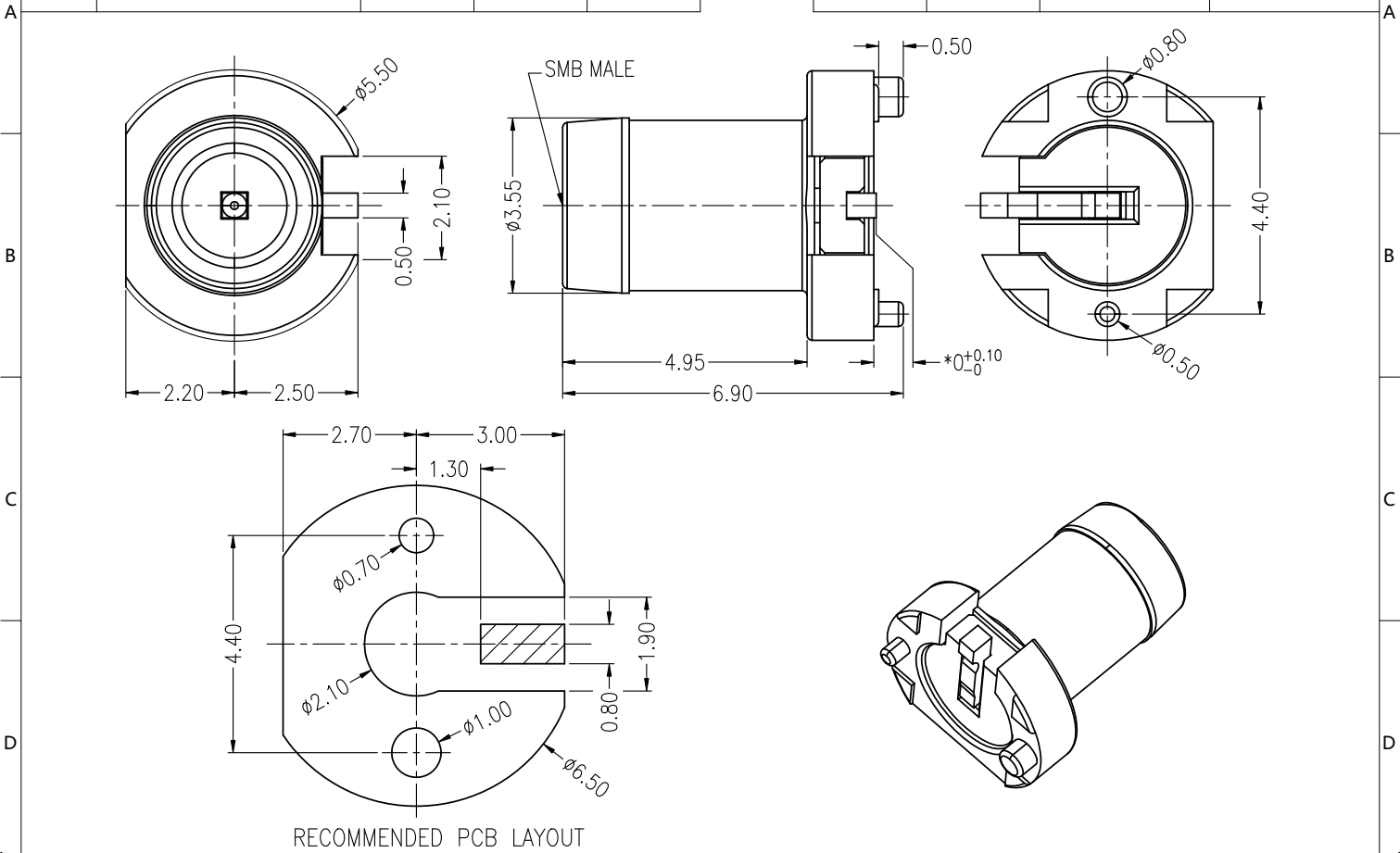


1	2	3	4	5	6
版本 (REV.)	描述 (DESCRIPTION)	变更号 (ECN NO.)	签名 (NAME)	日期 (DATE)	
0	FIRST EDITION	N/A	Wang	2022-10-24	

4	5	6
车载产品		所有物料及工艺 必须符合 ROHS要求
		ALL PARTS MUST MEET TO RoHS REQUIREMENTS



RECOMMENDED PCB LAYOUT

材料与电镀 (MATERIALS AND PLATING)		UNIT: MICRO-INCHES
1)BODY	ZINC ALLOY	TIN /NICKEL/COPPER
2)CONTACT PIN	BRASS	GOLD /NICKEL/COPPER
3)INSULATOR	HTN 51G15HSL	N/A

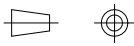
ELECTRICAL CHARACTERISTICS		
Impedance	50 Ω	
Voltage rating	250 V(rms)	
Frequency range	0 ~ 6 GHz	
Dielectric withstanding voltage		>800 V
Contact resistance	Center contact	<5.0 mΩ
	Outer contact	<2.5 mΩ
Insulation resistance		>1000 MΩ
Insertion loss		<0.10 *√f GHz
VSWR	<1.20 @ DC~2 GHz	
	<1.35 @ 2~3 GHz	
	<1.50 @ 3~6 GHz	

MECHANICAL CHARACTERISTICS	
Engagement Force	≤ 63 N
Disengagement Force	≤ 8.9 N
Center contact retention force	>4 lbs
Durability	≥ 500 cycles

ENVIRONMENTAL CHARACTERISTICS	
Temperature range	-40°C~+125°C

CUSTOMER OUTLINE DRAWING

除非特别声明 (UNLESS OTHERWISE SPECIFIED) :
 1)未注倒角 (EDGES) : C0.15 MAX;
 2)去除各处毛刺 (REMOVE ALL BURRS) ;
 3)表面光洁度 (SURFACE ROUGHNESS) : Ra0.8;
 4)单位: 毫米 (UNITS:mm) ;
 5)未标注尺寸公差 (DIMENSIONS TOLERANCES)
 小数 (DECIMALS) .x ±0.2, .xx ±0.1, .xxx±0.05;
 角度 (ANGLES) ±3°.

第三视角 (THIRD ANGLE PROJECTION)		
批准 (APPROVED):	客户料号 (CUSTOMER P/N):	-
审核 (CHECKED):	比例 (SCALE):	8: 1
制图 (DRAWING):	日期 (DATE):	2022-10-24
COMPANY WEBSITE : www.slkcorp.com		



标题 (TITLE): SMB FEMALE-50 Ω FOR PCB SOCKET
 图号 (DRAWING NO.): 5MBM27S-P21-001

CUSTOMER OUTLINE DRAWING