
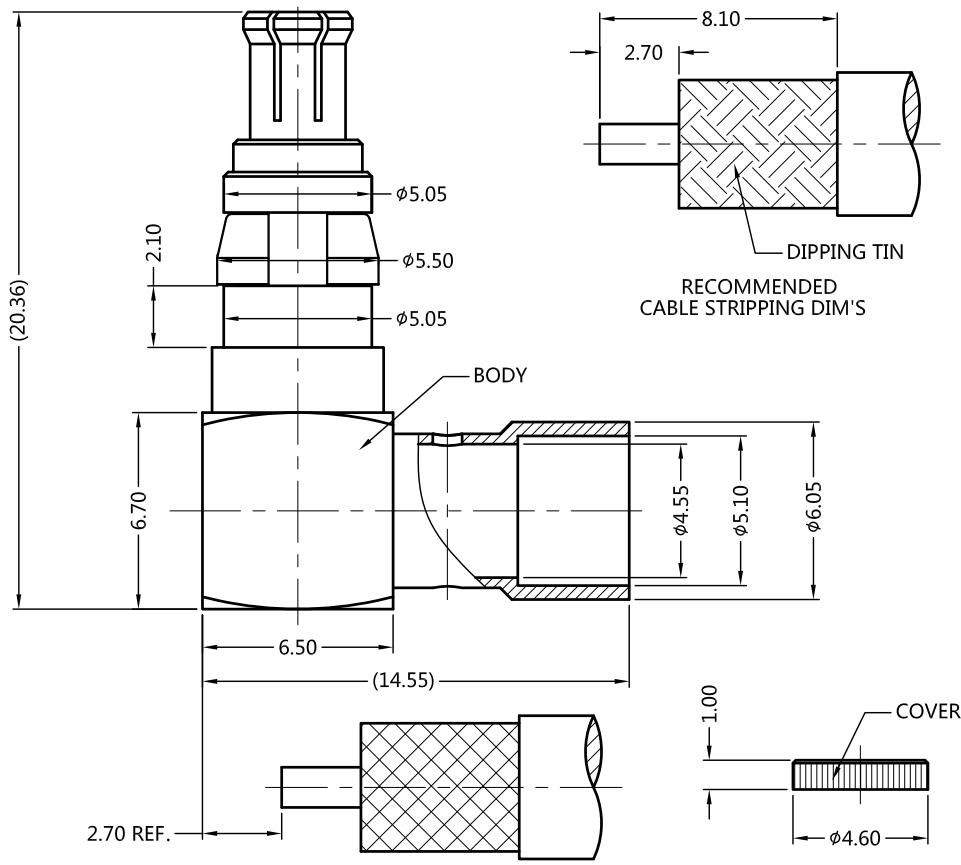


REV.	DESCRIPTION	ECN NO.	NAME	DATE	 ALL PARTS MUST MEET TO RoHS REQUIREMENTS
1	NEW FRAME	N/A	LDH	2020-7-2	



MATERIALS AND PLATING		UNIT: MICRO-INCHES
PART NAME	MATERIALS	PLATING
OUTER CONTACT	BE-CU	GOLD 30U"/NICKEL/COPPER
CONTACT PIN	PHOSPHOR BRONZE	GOLD 50U"/NICKEL/COPPER
INSULATOR	TEFLON MIL-P-19468	N/A
BODY	BRASS	GOLD 30U"/NICKEL/COPPER
COVER	BRASS	GOLD 30U"/NICKEL/COPPER

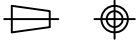
ELECTRICAL CHARACTERISTICS	
IMPEDANCE	50 Ω
VOLTAGE RATING	335 VRMS MAX
FREQUENCY RANGE	0 ~ 3 GHz
DIELECTRIC WITHSTANDING VOLTAGE	> 500 V RMS MIN
INSULATION RESISTANCE	> 1000 MΩ
INSERTION LOSS	ACCORDING TO THE CABLE
VSWR	< 1.3
RF- LEAKAGE	N/A

MECHANICAL CHARACTERISTICS	
ENGAGEMENT FORCE	< 5.6 LBS
SEPARATION FORCE	> 1.8 LBS
CENTER CONTACT RETENTION FORCE	> 1.8 LBS(AFTER ASSEMBLY)
DURABILITY	> 500 cycles

ENVIRONMENTAL PARAMETER	
TEMPERATURE RANGE	-40 °C ~ +85 °C

* CUSTOMER OUTLINE DRAWING

UNLESS OTHERWISE SPECIFIED:
 1) EDGES : C0.15 MAX ;
 2) REMOVE ALL BURRS ;
 3) SURFACE ROUGHNESS : Ra1.6 ;
 4) UNITS : mm ;
 5) DIMENSIONS TOLERANCES
 DECIMALS : .x ±0.3 .xx ±0.2 .xxx±0.1;
 ANGLES : ± 5°.

THIRD ANGLE PROJECTION		
APPROVED :	CUSTOMER P/N :	-
CHECKED :	SCALE :	4 : 1
DRAWING :	DATE :	2020-7-2
LDH	PAGE :	1/1



TITLE : MCX MALE R/A FOR HF 190 CABLE,50Ω

DRAWING NO. : 5MXM15R-A231

COMPANY WEBSITE : www.slkcorp.com

CUSTOMER OUTLINE DRAWING