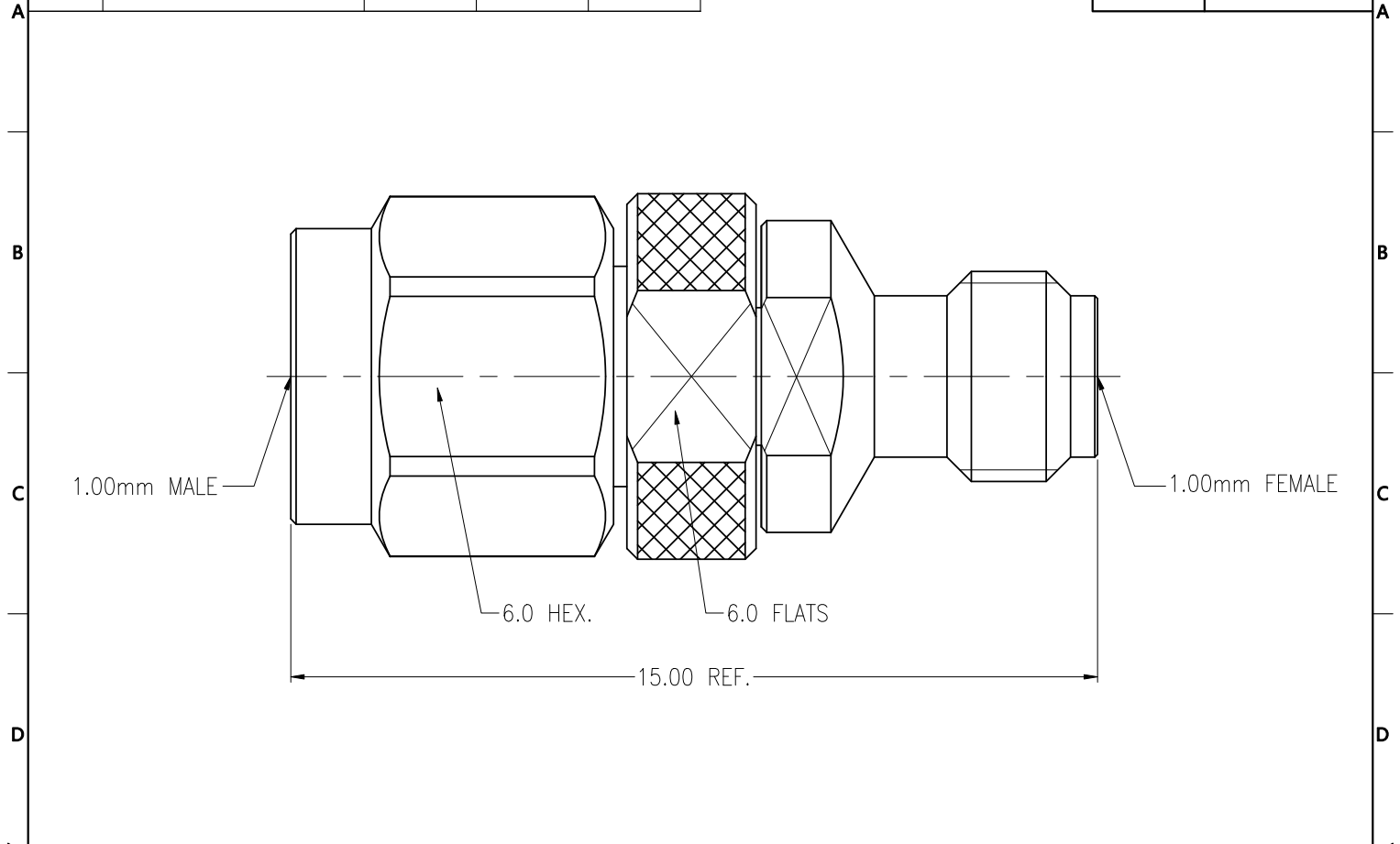


REV.	DESCRIPTION	ECN NO.	NAME	DATE
1	UPDATE DRAWING	N/A	LEI CHAO	2021-05-14
2	UPDATE DRAWING	N/A	LEI CHAO	2021-09-07



ALL PARTS MUST MEET TO RoHS REQUIREMENTS



MATERIALS AND PLATING		UNIT: MICRO-INCHES
PART NAME	MATERIALS	PLATING
BODY	STAINLESS STEEL 316F	PASSIVATION
INSULATOR	PEI	N/A
CONTACT PIN	BERYLLIUM COPPER	PL.GOLD30u*/NICKEL 20u*
SHELL	STAINLESS STEEL 316F	PASSIVATION

ELECTRICAL CHARACTERISTICS	
IMPEDANCE	50 Ω
VOLTAGE RATING	170 V(rms)
FREQUENCY RANGE	DC ~ 110 GHz
DIELECTRIC WITHSTANDING VOLTAGE	>500 V
CONTACT RESISTANCE	CENTER CONTACT
	OUTER CONTACT
INSULATION RESISTANCE	>5000 MΩ
INSERTION LOSS	<0.08x√f (GHz) dB
VSWR	<1.25@DC~67GHz <1.35@67~110GHz
3RD INTERMODULATION	N/A

MECHANICAL CHARACTERISTICS	
FORCE TO ENGAGE AND DISENGAGE	N/A
CENTER CONTACT RETENTION FORCE	>13 N
RECOMMENDED COUPLING TORQUE	3.5 ~ 4.4 in-lbs
COUPLING NUT RETENTION FORCE	>50 lbs
DURABILITY	>500 cycles

ENVIRONMENTAL PARAMETER	
TEMPERATURE RANGE	-40 °C ~ +125 °C

CUSTOMER OUTLINE DRAWING

*** CUSTOMER OUTLINE DRAWING**

UNLESS OTHERWISE SPECIFIED:
 1) EDGES : C0.15 MAX ;
 2) REMOVE ALL BURRS ;
 3) SURFACE ROUGHNESS : Ra1.6 ;
 4) UNITS : mm ;
 5) DIMENSIONS TOLERANCES
 DECIMALS : .x ±0.3 .xx ±0.2 .xxx±0.1;
 ANGLES : ± 5°.

THIRD ANGLE PROJECTION		
APPROVED :	CUSTOMER P/N :	-
CHECKED :	SCALE :	8:1
DRAWING :	DATE :	2021-09-07
	PAGE :	1/1



TITLE : 1.0mm FEMALE TO 1.0mm MALE S/T ADAPTOR,50Ω
 DRAWING NO. : T-5T1F06S-T1M
 COMPANY WEBSITE : www.slkcorp.com