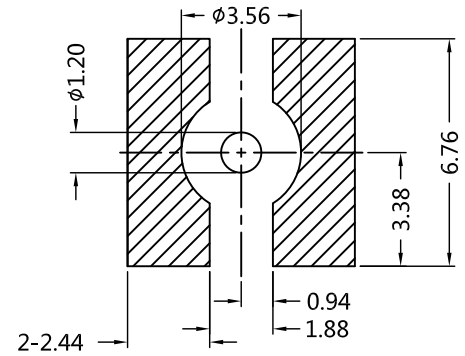
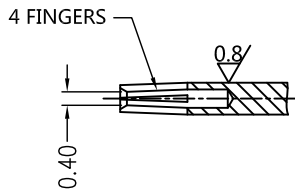


REV.	DESCRIPTION	ECN NO.	NAME	DATE				
2	NEW FRAME	N/A	HYH	2020-07-10				

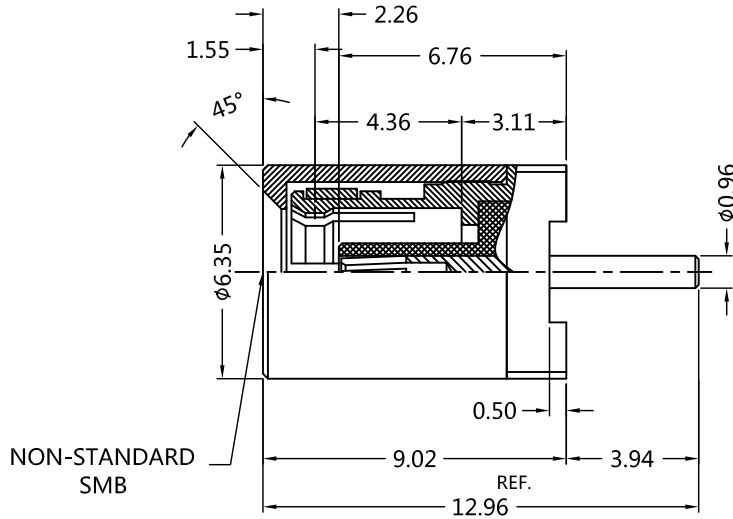


ALL PARTS MUST MEET TO RoHS REQUIREMENTS

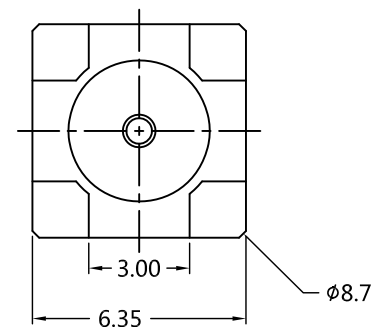
REMARKS:
 1.FEMALE CONTACT SURFACE ROUGHNESS
 2.FEMALE CONTACT WITHDRAWAL FORCE>0.28N



RECOMMENDED PCB LAYOUT



NON-STANDARD SMB



MATERIALS AND PLATING		UNIT: MICRO-INCHES
PART NAME	MATERIALS	PLATING
BODY	BRASS C3604	GOLD 3u"/NICKEL/COPPER
CONTACT PIN	BERYLLIUM COPPER	GOLD 30u"/NICKEL/COPPER
INSULATOR	TEFLON	N/A
C RING	BERYLLIUM COPPER	N/A

ELECTRICAL CHARACTERISTICS	
IMPEDANCE	75 Ω
VOLTAGE RATING	335 V(rms)
FREQUENCY RANGE	0~3 GHz
DIELECTRIC WITHSTANDING VOLTAGE	>1000 V
CONTACT RESISTANCE	CENTER CONTACT <6.0 mΩ
	OUTER CONTACT <1.0 mΩ
INSULATION RESISTANCE	>1000 MΩ
INSERTION LOSS	N/A
RETURN LOSS	N/A
VSWR	<1.3(SINGLE)
3RD INTERMODULATION	N/A

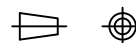
MECHANICAL CHARACTERISTICS	
FORCE TO ENGAGE AND DISENGAGE	1~6 lbs
CENTER CONTACT RETENTION FORCE	>4 lbs(Soldered)
COUPLING PROOF TORQUE	N/A
COUPLING NUT RETENTION FORCE	N/A
DURABILITY	>500 cycles

ENVIRONMENTAL PARAMETER	
TEMPERATURE RANGE	-65 °C~+165 °C

* CUSTOMER OUTLINE DRAWING

UNLESS OTHERWISE SPECIFIED:
 1) EDGES : C0.15 MAX ;
 2) REMOVE ALL BURRS ;
 3) SURFACE ROUGHNESS : Ra1.6 ;
 4) UNITS : mm ;
 5) DIMENSIONS TOLERANCES
 DECIMALS : .x ±0.3 .xx ±0.2 .xxx±0.1;
 ANGLES : ± 5°.

THIRD ANGLE PROJECTION



APPROVED :

CUSTOMER P/N :

CHECKED :

SCALE :

1 : 1

DRAWING :

HYH

DATE : 2020-07-10

PAGE : 1/1



TITLE : SMB MALE S/T FOR CONTACT THROUGH HOLE MOUNT),75Ω

DRAWING NO. :

7MBM27S-P41-002

COMPANY WEBSITE : www.slkcorp.com

CUSTOMER OUTLINE DRAWING